

Technical data sheet

Product features



Oven electric GN static

Model	SAP Code	00013597
--------------	-----------------	----------



– Device type: Electric unit

SAP Code	00013597	Power electric [kW]	5.000
Net Width [mm]	800	Loading	400 V / 3N - 50 Hz
Net Depth [mm]	690	Width of internal part [mm]	670
Net Height [mm]	480	Depth of internal part [mm]	550
Net Weight [kg]	32.00	Height of internal part [mm]	340

Technical data sheet

Technical drawing

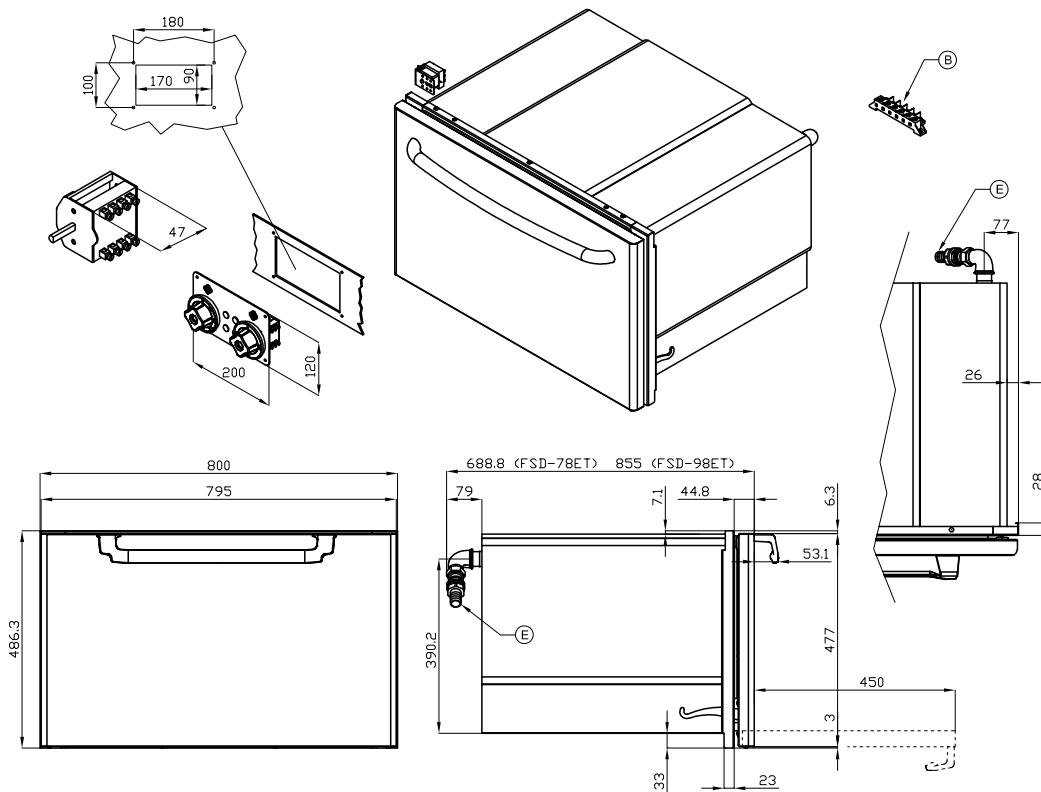


Oven electric GN static

Model

SAP Code

00013597



A	Data plate		B	Electrical connection	
E	Water drainage	Ø25mm			

Technical data sheet

Technical parameters



Oven electric GN static

Model

SAP Code

00013597

1. SAP Code:

00013597

2. Net Width [mm]:

800

3. Net Depth [mm]:

690

4. Net Height [mm]:

480

5. Net Weight [kg]:

32.00

6. Gross Width [mm]:

830

7. Gross depth [mm]:

770

8. Gross Height [mm]:

770

9. Gross Weight [kg]:

40.00

10. Device type:

Electric unit

11. Construction type of device:

Drop-in

12. Power electric [kW]:

5.000

13. Loading:

400 V / 3N - 50 Hz

14. Device heating type:

Static baking

15. Maximum device temperature [°C]:

300

16. Minimum device temperature [°C]:

50

17. Power control type:

knob control

18. Additional information:

grate: 650 x 530 GN2/1

19. Oven Type:

electrical static

20. Oven size:

GN 2/1

21. Width of internal part [mm]:

670

22. Depth of internal part [mm]:

550

23. Height of internal part [mm]:

340

24. Cross-section of conductors CU [mm²]:

1

- Výkon (kW): 3,7-5 (230 V); 6,4-8,7 (400 V)